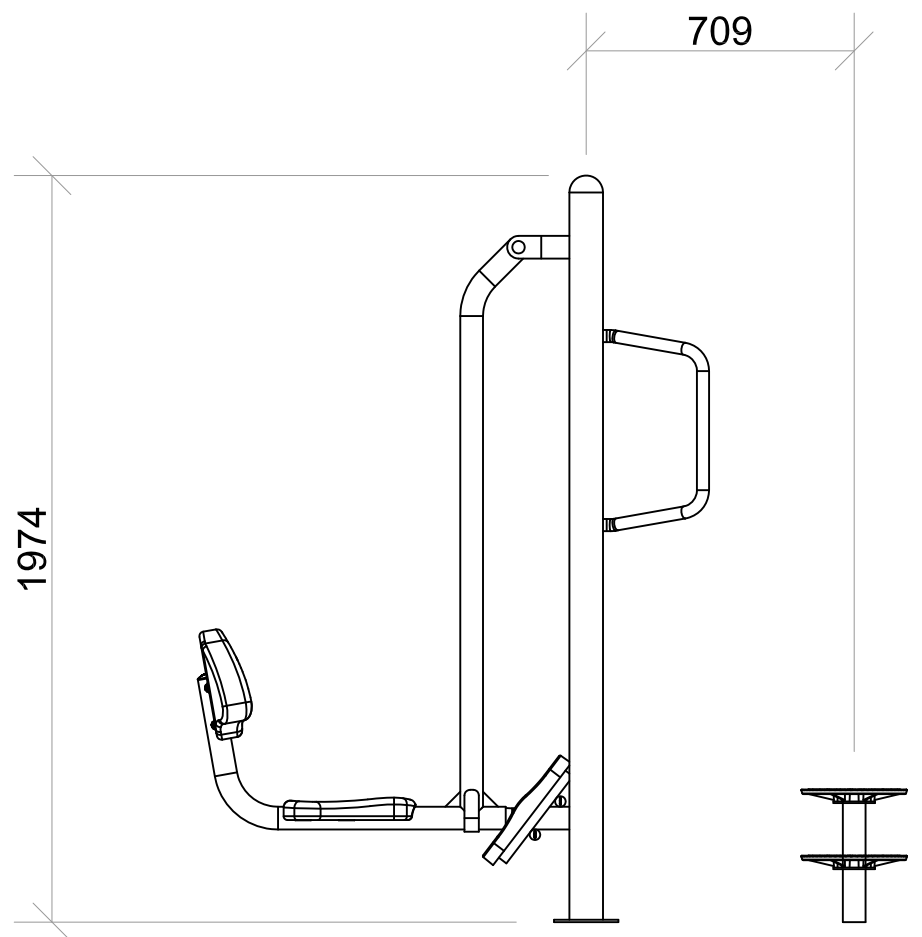
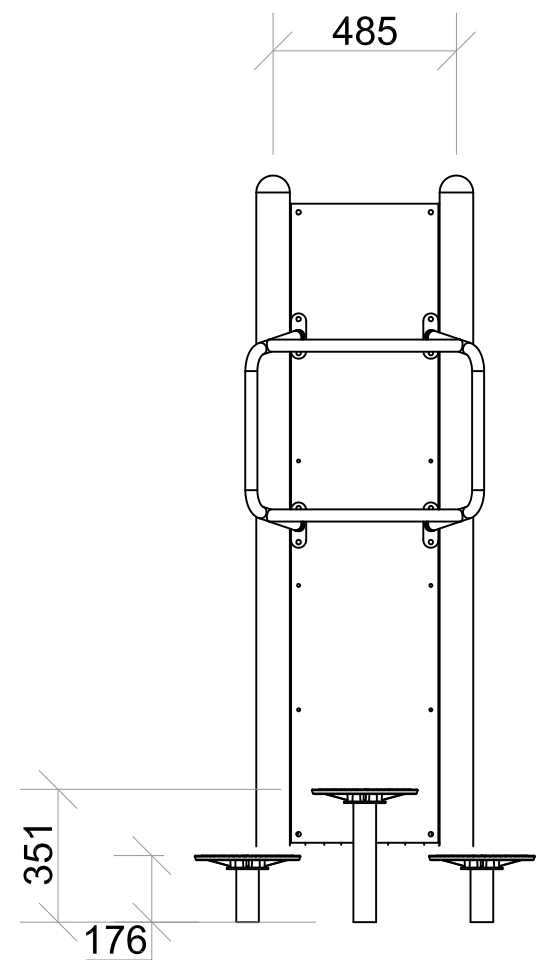


PLAN VIEW
ROYAL LEG PRESS/STEP UP



SIDE ELEVATION
ROYAL LEG PRESS/STEP UP



FRONT ELEVATION
ROYAL LEG PRESS/STEP UP

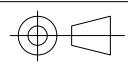
LEGAL OWNER:

 8 Jasmin Close, Yarra Glen, Victoria 3775
 PH: (03) 9738 1767

REV	DATE	REVISION DETAILS	DRAWN	CHKD

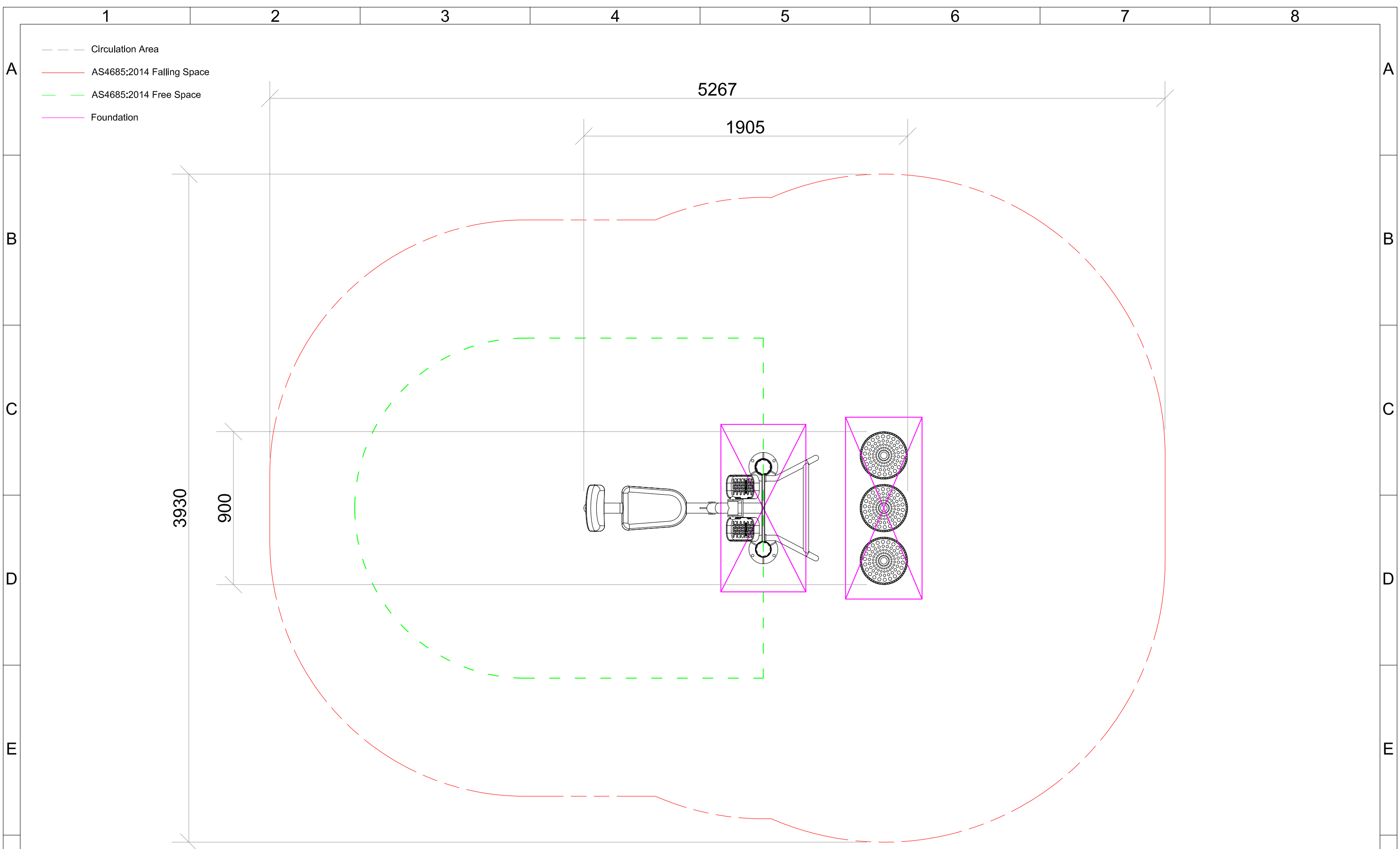
THIS DRAWING AND ANY INFORMATION OR DESCRIPTIVE MATERIAL SET OUT WITHIN REMAINS CONFIDENTIAL AND COPYRIGHT PROPERTY OF IMAGINATION PLAY. DRAWING SHALL NOT BE DISCLOSED, COPIED, SHARED, PRINTED IN WHOLE OR PART, OR USED FOR ANY OTHER PURPOSE WITHOUT THE WRITTEN PERMISSION OF IMAGINATION PLAY.

UNLESS OTHERWISE STATED ALL DIMENSIONS: mm DRAWING PRODUCED IN ACCORDANCE WITH: AS1100



PART DESC:	ROYAL LEG PRESS/STEP UP
SUPPLIER:	IMAGINATION PLAY
MATERIAL:	STEEL/PLASTIC
FINISH:	POWDERCOAT/MATERIAL

PART NO.: 1234-2D-R0			DRAWN: N.H	31/01/18
Area (m ²): 000			CHKD: S.R	31/01/18
FHOF: 0.00m			APPD: P.T	01/02/18
Drawing Scale: 1:20			Size: A3	Sheet: 1 of 2
			Revision: 0	



- Circulation Area
- AS4685:2014 Falling Space
- AS4685:2014 Free Space
- Foundation

PLAN VIEW
FALLZONE/FREE SPACE

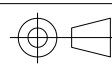
LEGAL OWNER:

 Total Recreational Solutions
 8 Jasmin Close, Yarra Glen, Victoria 3775
 PH: (03) 9738 1767

REV	DATE	REVISION DETAILS	DRAWN	CHKD

THIS DRAWING AND ANY INFORMATION OR DESCRIPTIVE MATERIAL SET OUT WITHIN REMAINS CONFIDENTIAL AND COPYRIGHT PROPERTY OF IMAGINATION PLAY. DRAWING SHALL NOT BE DISCLOSED, COPIED, SHARED, PRINTED IN WHOLE OR PART, OR USED FOR ANY OTHER PURPOSE WITHOUT THE WRITTEN PERMISSION OF IMAGINATION PLAY.

UNLESS OTHERWISE STATED
 ALL DIMENSIONS: mm
 DRAWING PRODUCED IN ACCORDANCE WITH: AS1100



PART DESC:	ROYAL LEG PRESS/STEP UP
SUPPLIER:	IMAGINATION PLAY
MATERIAL:	STEEL/PLASTIC
FINISH:	POWDERCOAT/MATERIAL

PART NO:			1234-2D-R0		
Area (m ²):	FHOF:	Drawing Scale:	Size:	Sheet:	Revision:
000	0.00m	1:20	A3	2 of 2	0

F

F